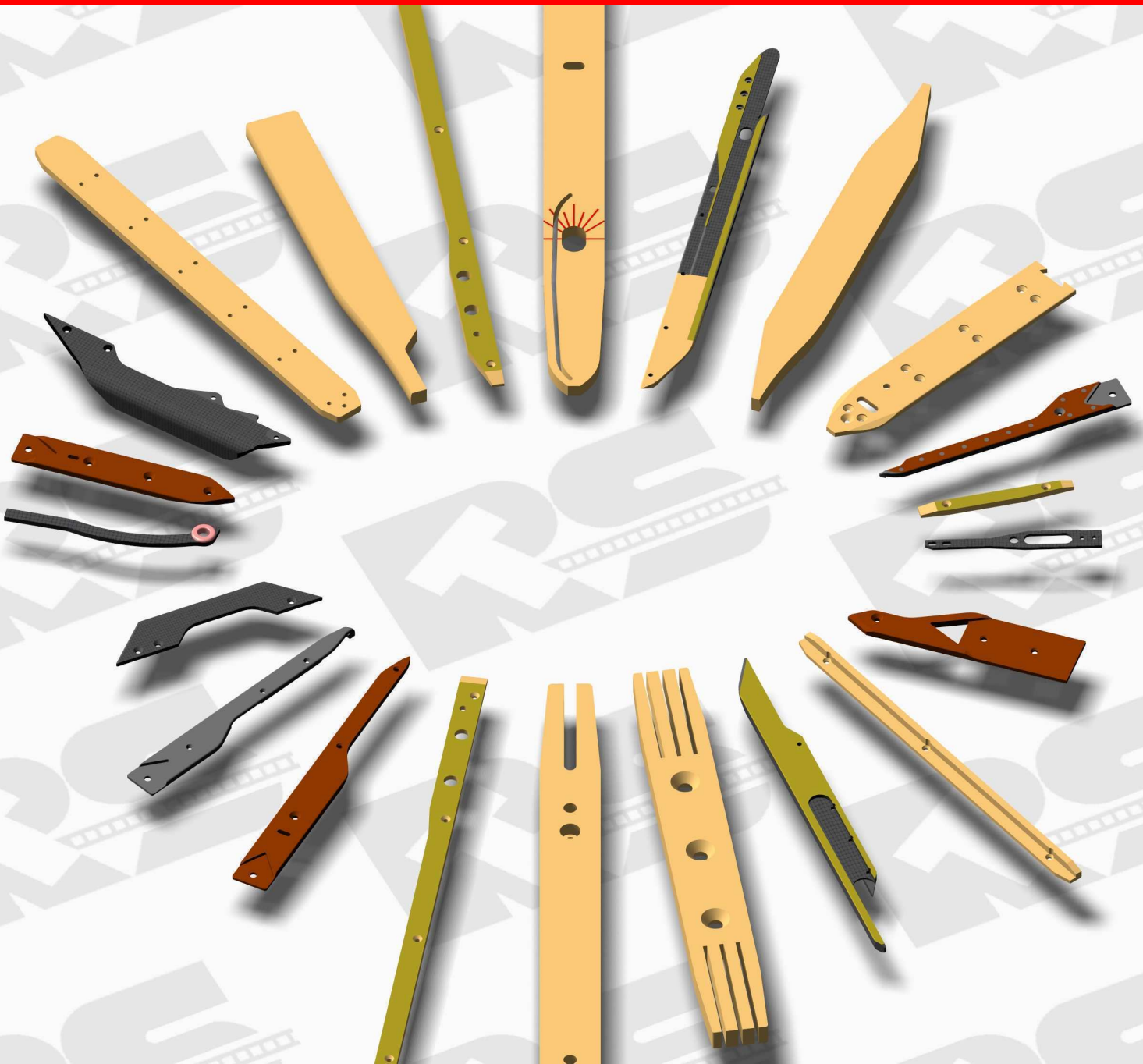
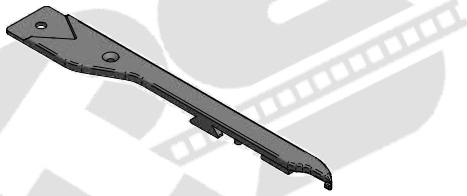


# FIBER SPARE PARTS FOR WEAVING LOOMS

*Somet*

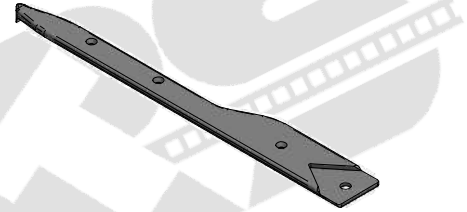
INTERCHANGEABLE WITH ORIGINALS





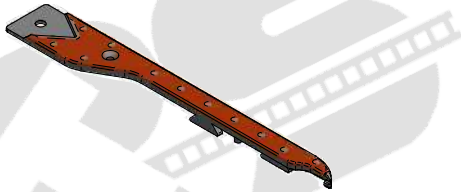
1:2

**EN1019**  
LH gripper base  
*Master*



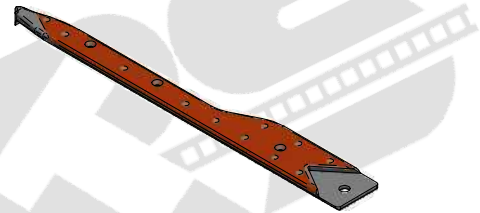
1:2

**EN1020**  
RH gripper base  
*Master*



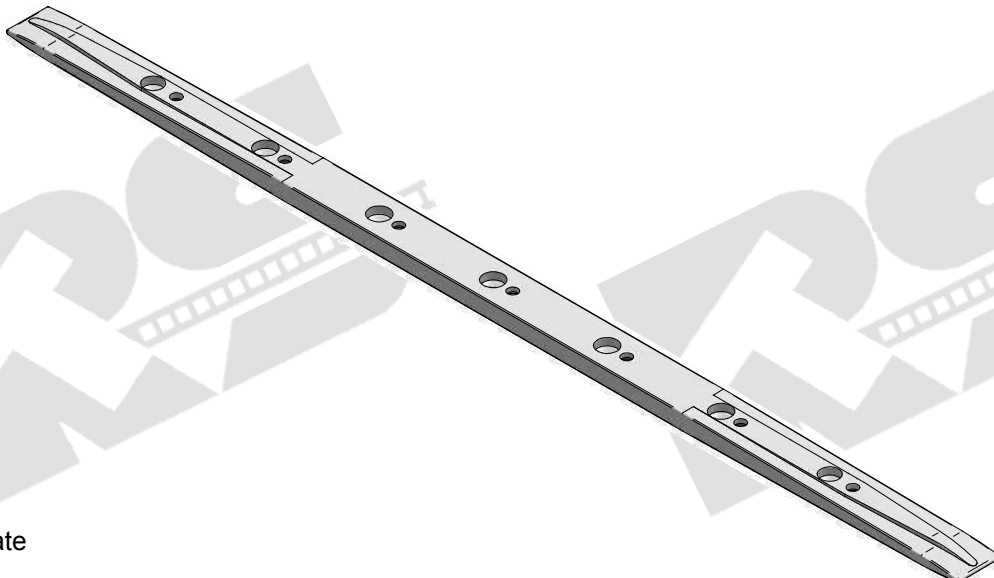
1:2

**AN1F03**  
LH gripper base  
*Master*



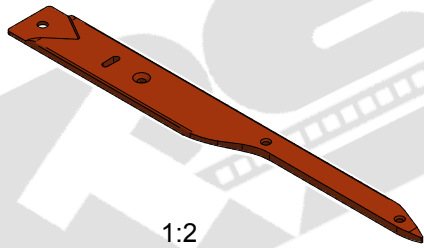
1:2

**AN1F04**  
RH gripper base  
*Master*

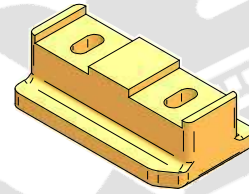


**EDB027**  
Gripper opener plate  
*Master - Thema*

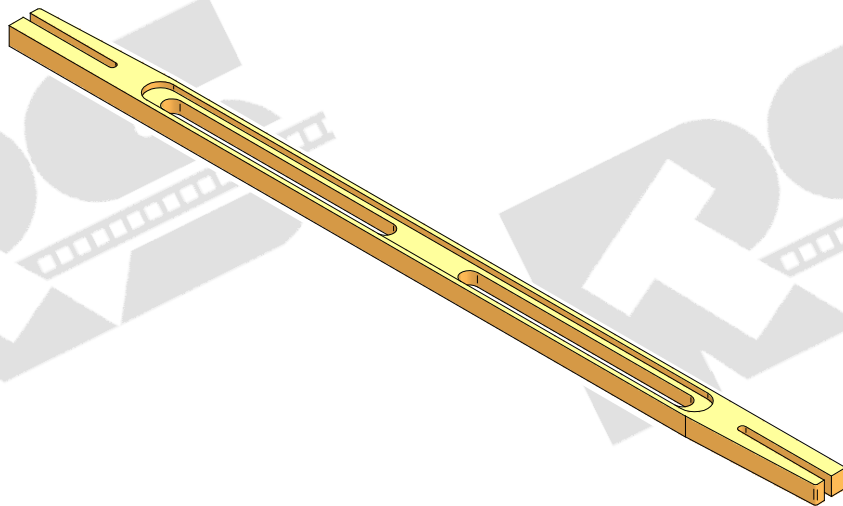
1:3



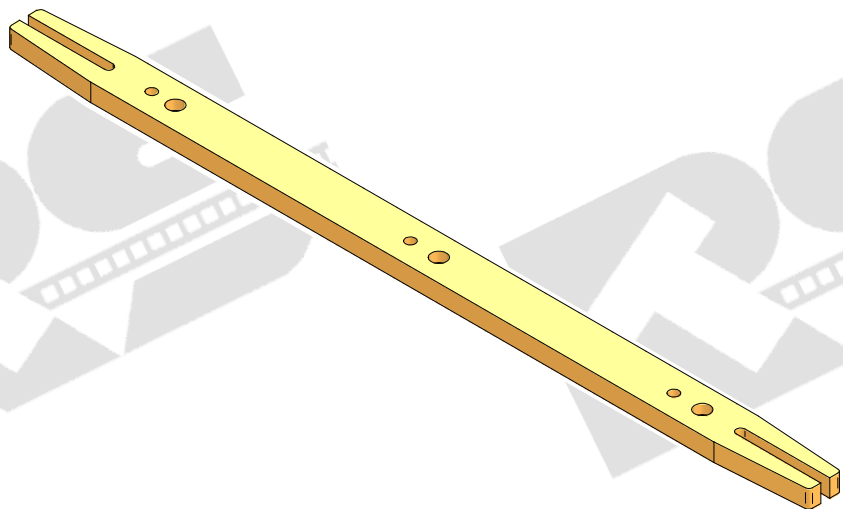
**EDL059**  
LH/RH gripper base  
*Thema 103*



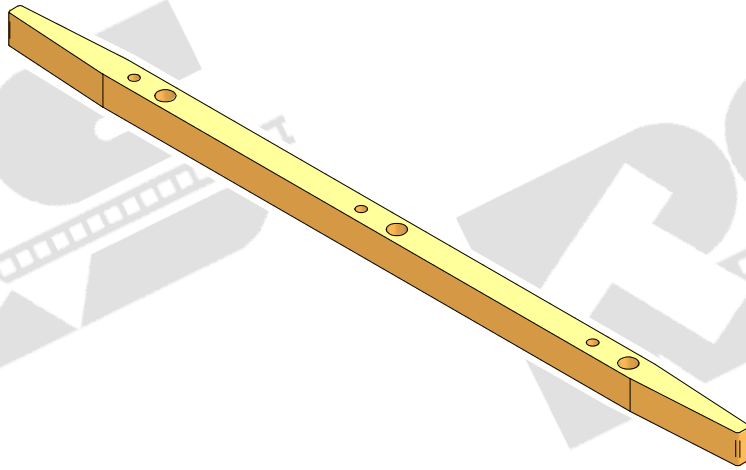
**HDC083**  
Opener plate M.F.G.  
*Thema 11 Excel*



**HDB100**  
Gripper opener plate  
*Thema 11 Excel*

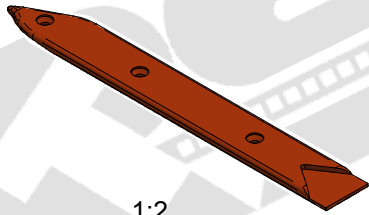


**HDB118**  
Gripper opener plate  
*Thema 11 Excel*



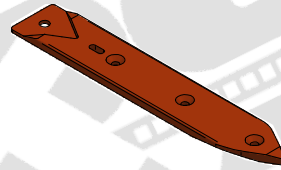
**HDB135**  
Gripper opener plate  
*Thema 11 Excel*

1:3



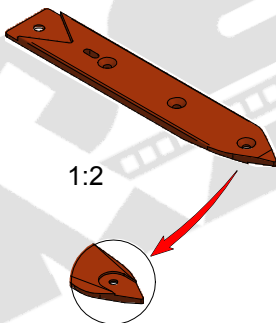
1:2

**HDL017**  
RH gripper base  
*Thema 11 Excel - S. Excel*



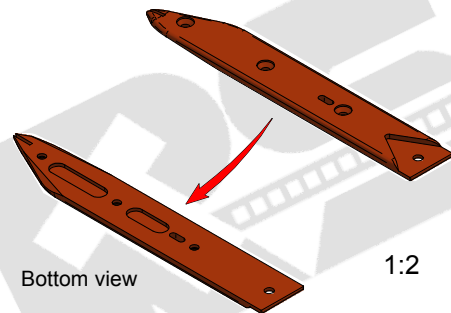
1:2

**HDL047**  
LH gripper base  
*Thema 11 Excel - S. Excel*



1:2

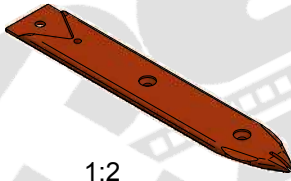
**HDL148**  
LH gripper base for ceramic  
*Thema 11 Excel - S. Excel*



Bottom view

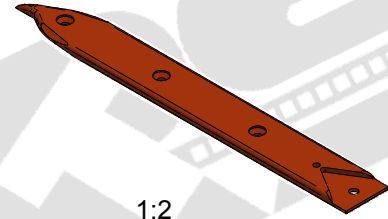
1:2

**LEDL01**  
RH gripper base  
*Alpha*



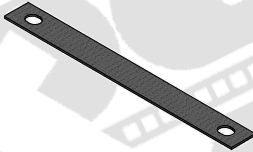
1:2

**HDL211**  
SURF LH gripper base  
*Thema 11 Excel - S. Excel*



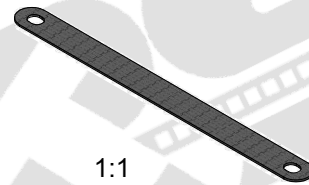
1:2

**HDL223**  
SURF RH gripper base  
*Thema 11 Excel - S. Excel*



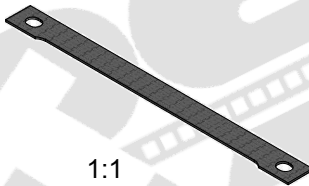
1:1

**HDL004**  
RH gripper carbon fiber belt  
*Thema 11 Excel*



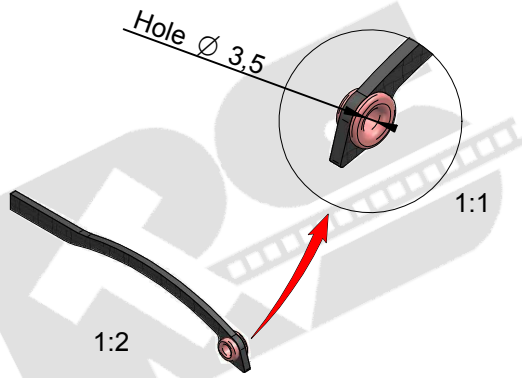
1:1

**HDL141**  
Carbon fiber belt  
*Thema 11 Excel*

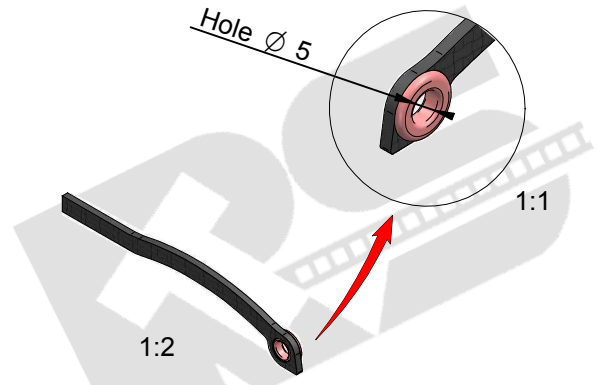


1:1

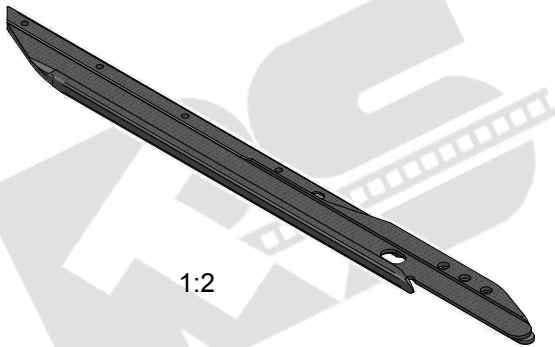
**EDL094**  
Carbon fiber belt  
*Thema 11 Excel*



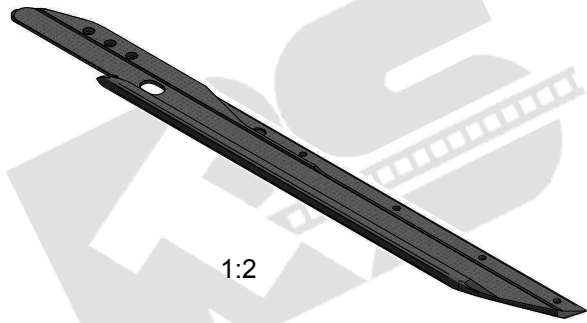
**BDY173**  
Thin carbon fiber finger for weft selector  
*Thema 11 Excel*



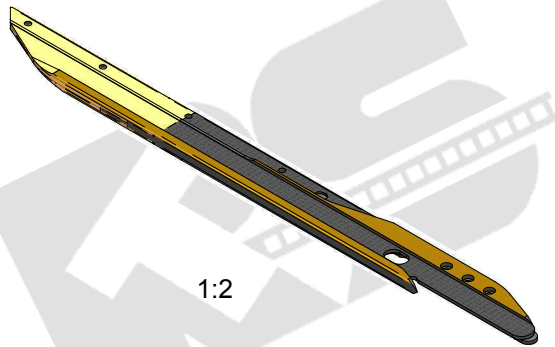
**BDY175**  
Thick carbon fiber finger for weft selector  
*Thema 11 Excel*



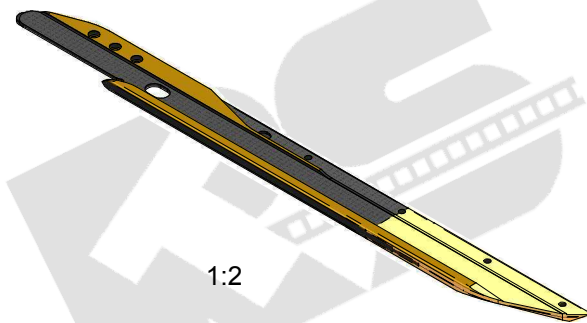
**HH7179**  
RH interchangeable top M.F.G. (heavy cotton/denim)  
*Thema 11 Excel - S. Excel*



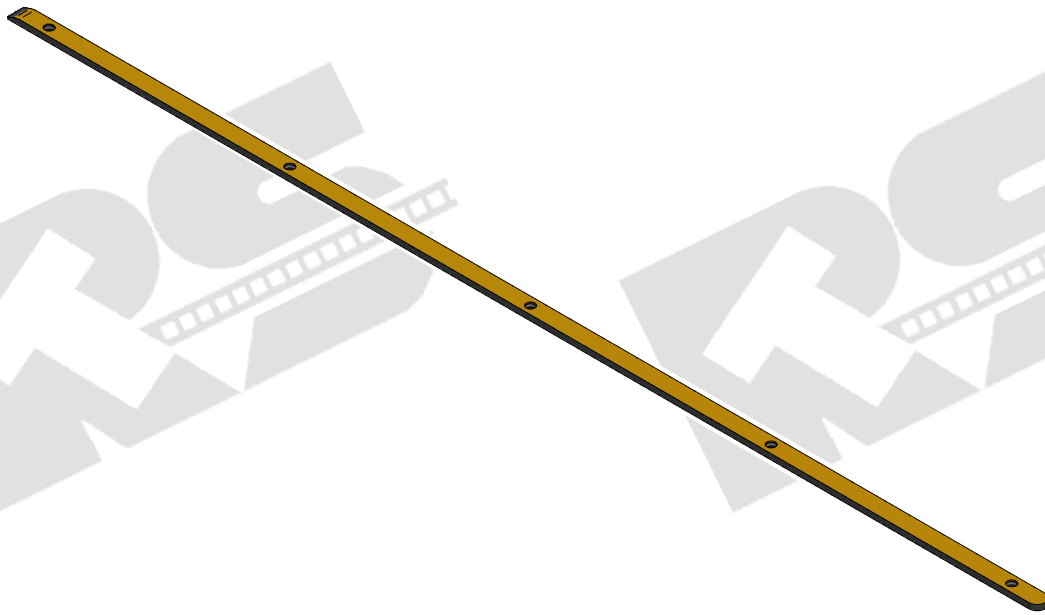
**HH7178**  
LH interchangeable top M.F.G. (heavy cotton/denim)  
*Thema 11 Excel - S. Excel*



**HH7174**  
RH interchangeable top M.F.G.  
*Thema 11 Excel - S. Excel*

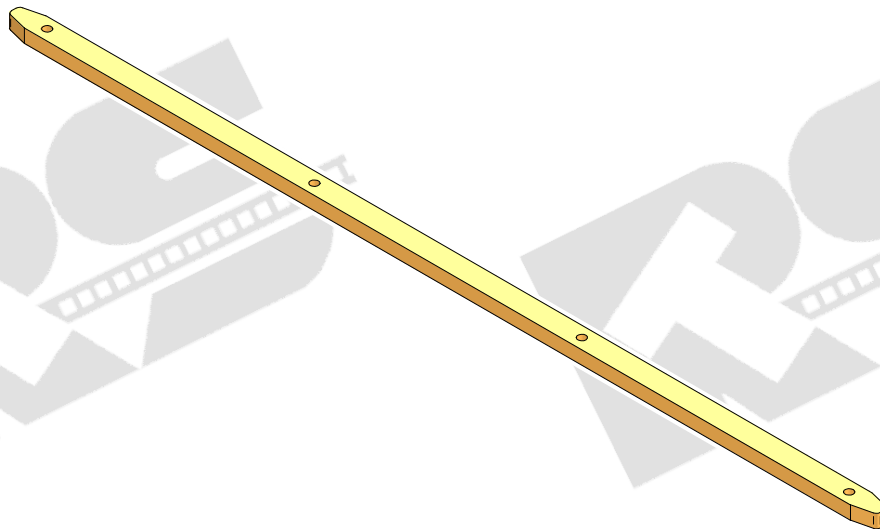


**HH7175**  
LH interchangeable top M.F.G.  
*Thema 11 Excel - S. Excel*



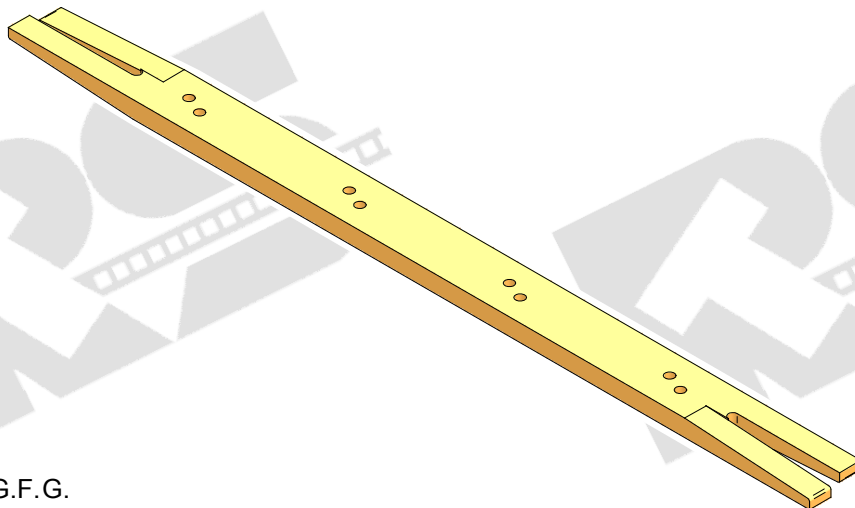
**LEB428**  
Plate  
*Alpha*

1:2



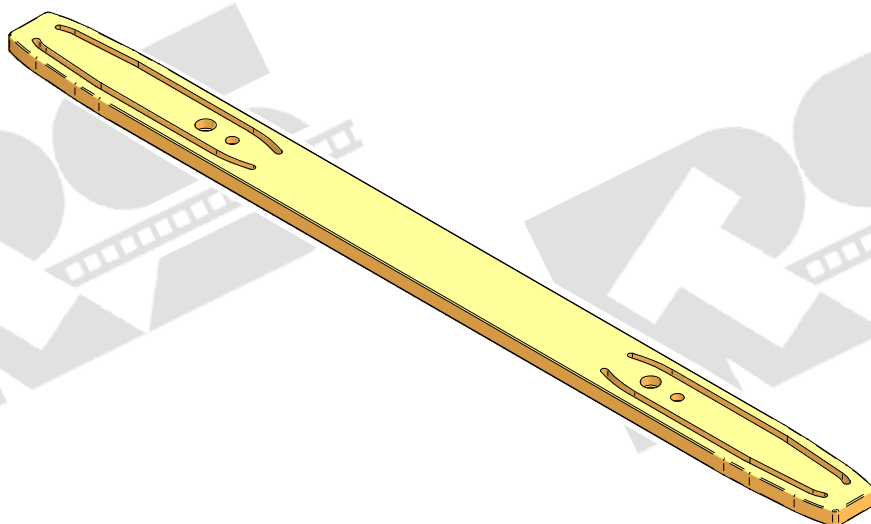
**LEB429**  
RH plate  
*Alpha*

1:2



**LEDB06**  
Gripper opener plate G.F.G.  
*Alpha*

1:3



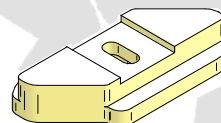
**LEDB13**  
RH gripper opener plate  
*Alpha*

1:3



1:2

**LEDC16**  
Gripper opener M.F.G.  
*Alpha*



1:2

**HDC045**  
Gripper opener G.F.G.  
*Thema 11 Excel - Alpha*