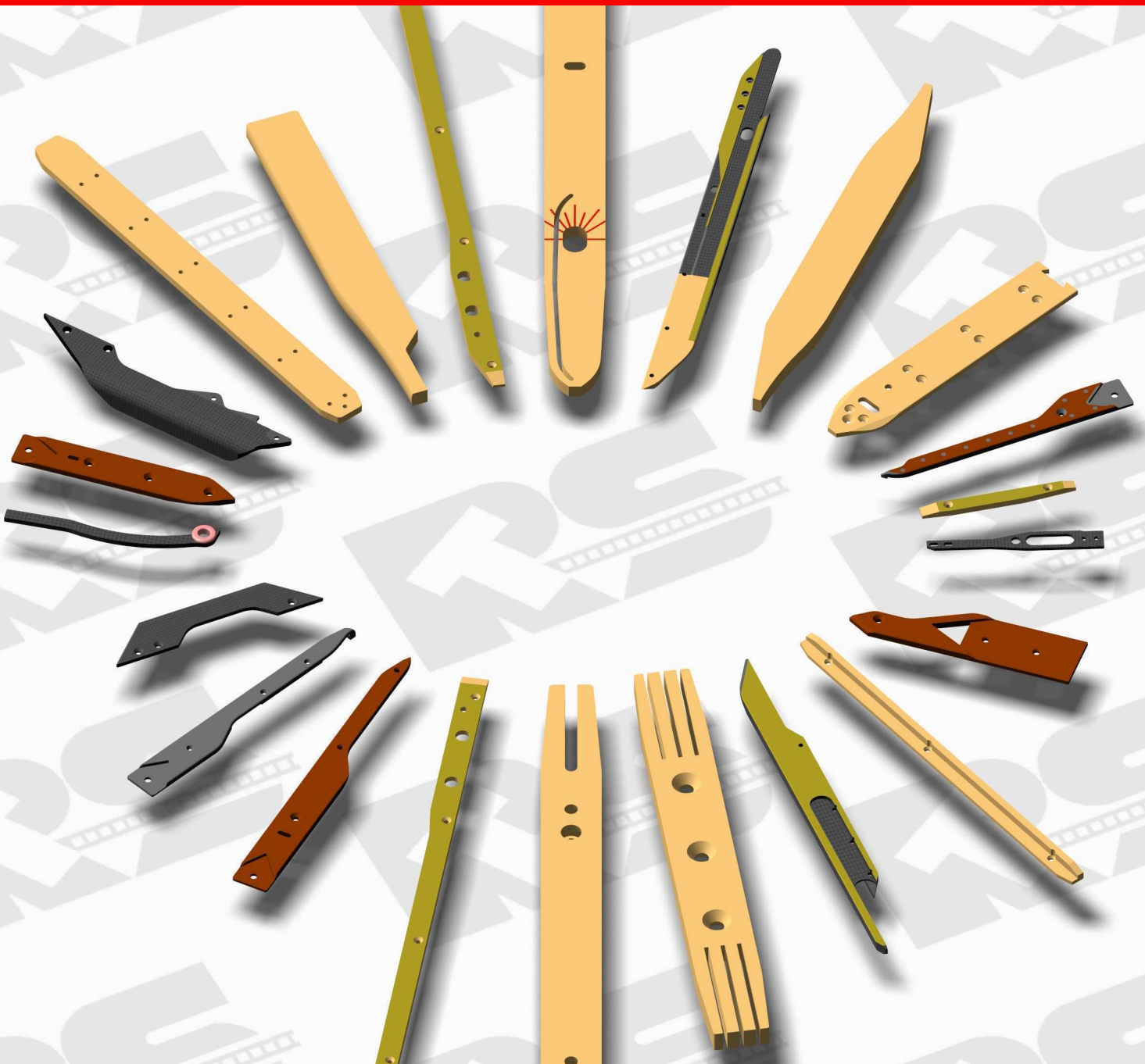
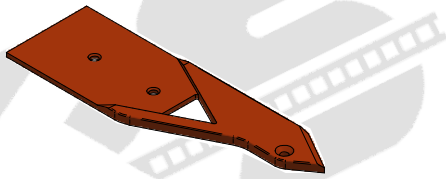


# FIBER SPARE PARTS FOR WEAVING LOOMS

*Vamatex*

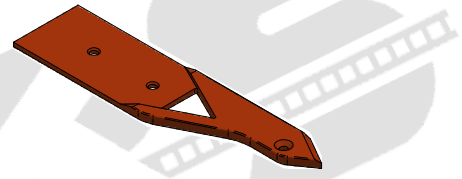
INTERCHANGEABLE WITH ORIGINALS





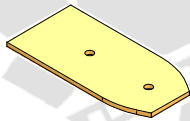
1:2

**2508194**  
Sliding block  
201



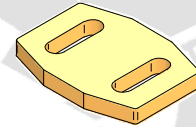
1:2

**2508162**  
Sliding block  
401



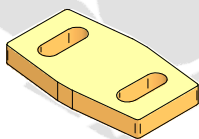
1:2

**2548266**  
Plate for point of tape  
C301 - C401 - SP251



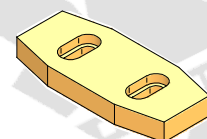
1:2

**2569024**  
LH gripper opener plate  
201 - 401 - 151 - 251



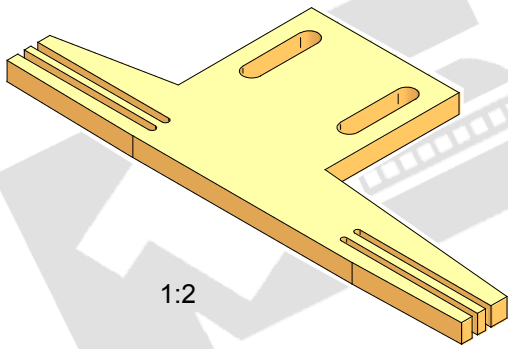
1:2

**2569054**  
LH opener plate  
P1001

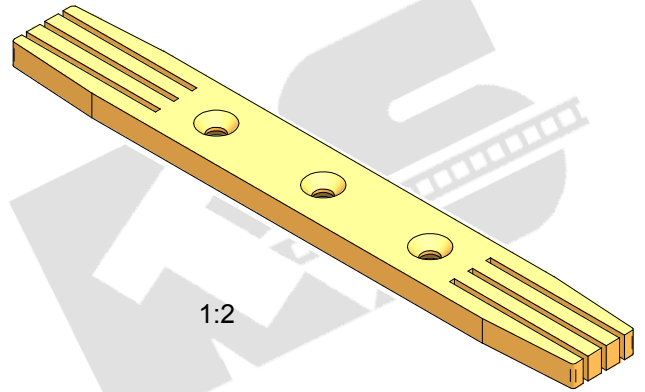


1:2

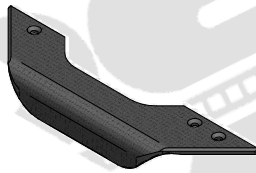
**2569096**  
Reaction plate  
Leonardo - K88 - Dyna terry



**2569032**  
Gripper opener plate  
401



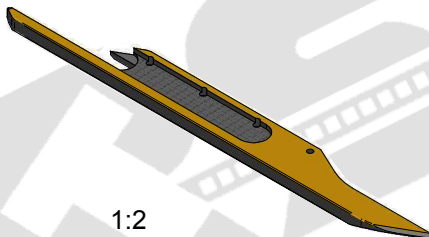
**2569056**  
Gripper opener plate  
401 - P1001



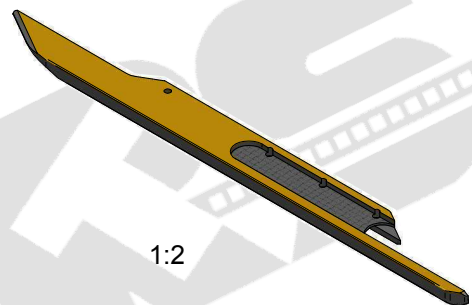
**2548406**  
RH gripper wing  
P1001/E/ES - SP1151/E/ES



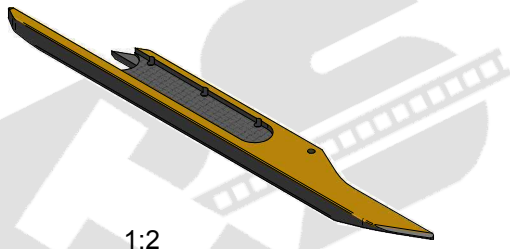
**2548412**  
LH gripper wing  
P1001/E/ES - SP1151/E/ES



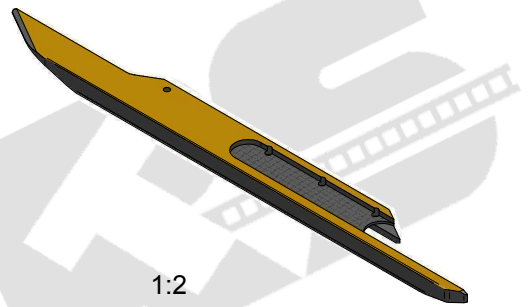
**2508096**  
LH tape point th. 4 mm  
P1001



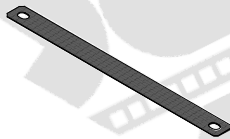
**2508100**  
RH tape point th. 4 mm  
P1001



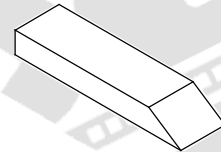
**2508098**  
LH tape point th. 6.5 mm  
*P1001*



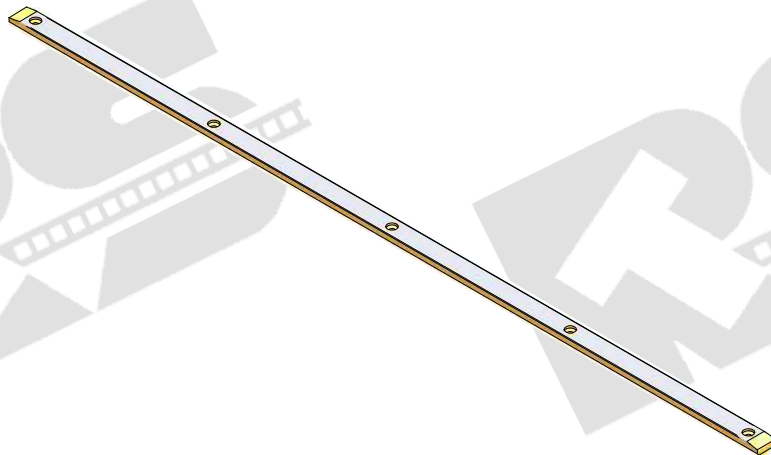
**2508102**  
RH tape point th. 6.5 mm  
*P1001*



**2148132**  
RH gripper carbon fiber spring  
*C401*

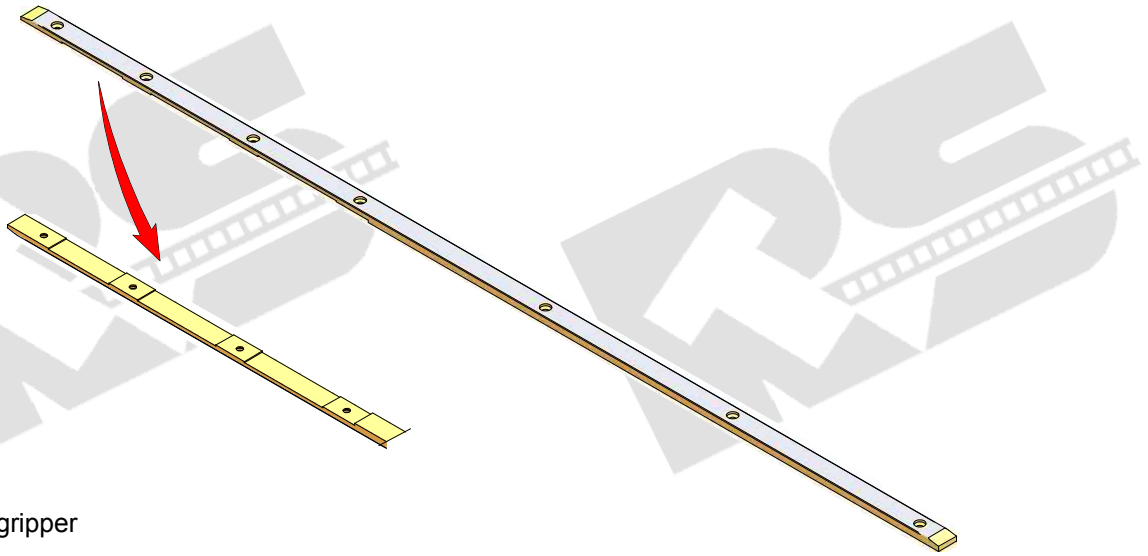


**2509090**  
Teflon lubricant  
*P1001*



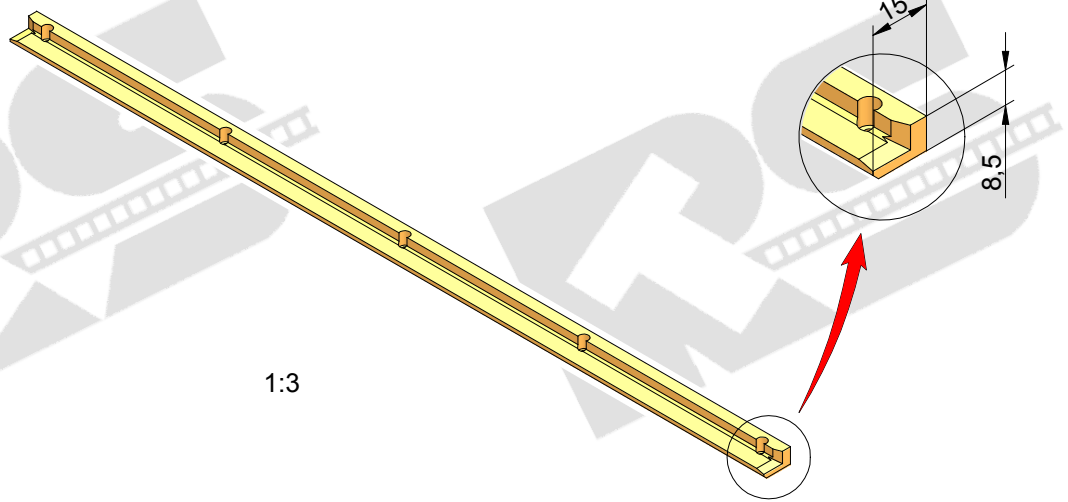
**2508068**  
Support plate for RH gripper  
*P1001*

1:3



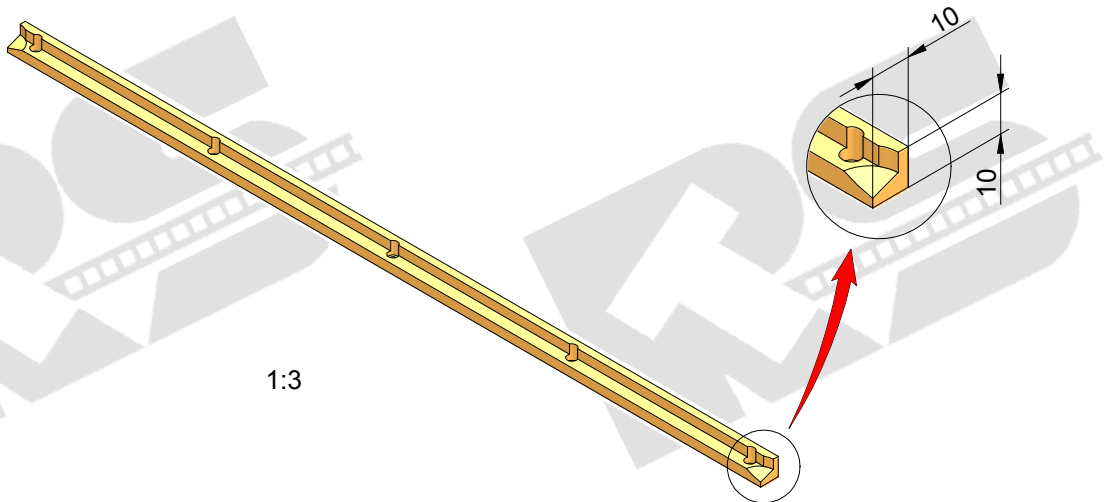
**2508086**  
Support plate for LH gripper  
*P1001*

1:3



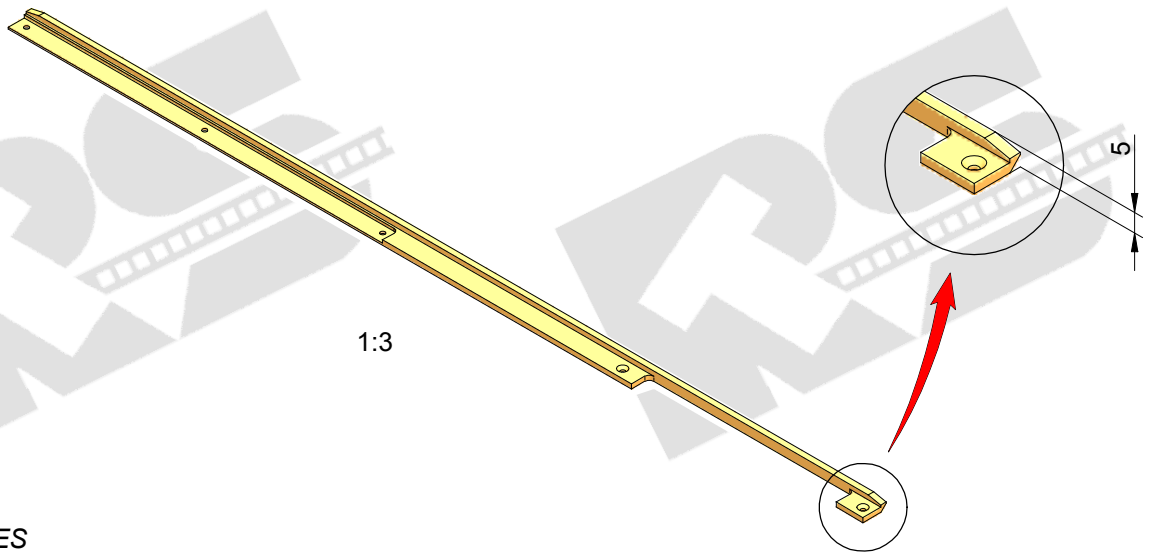
**2509092**  
Reaction rod RH gripper  
*Leonardo*

1:3

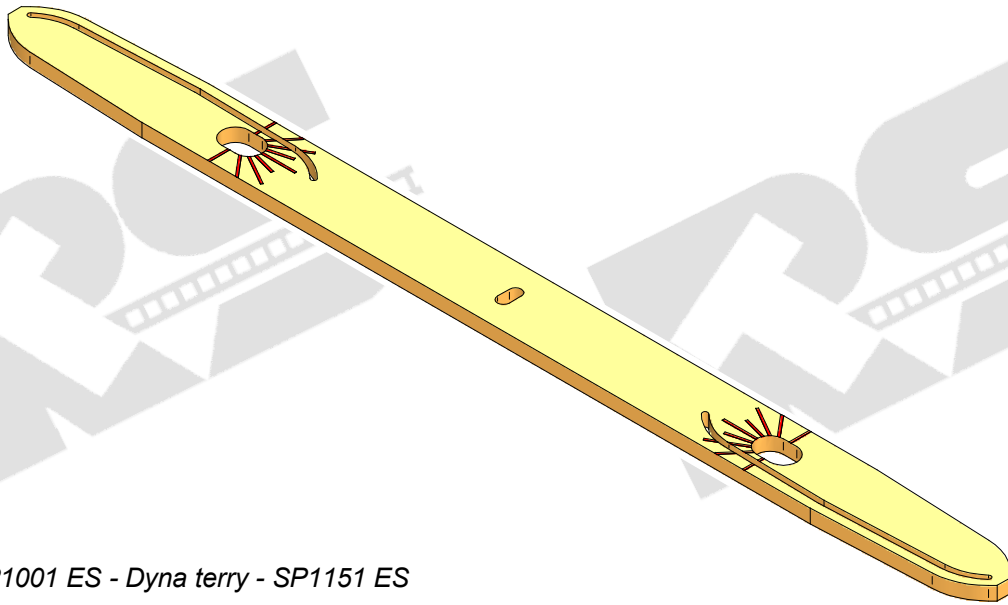


**2509096**  
Reaction rod RH gripper  
*Leonardo*

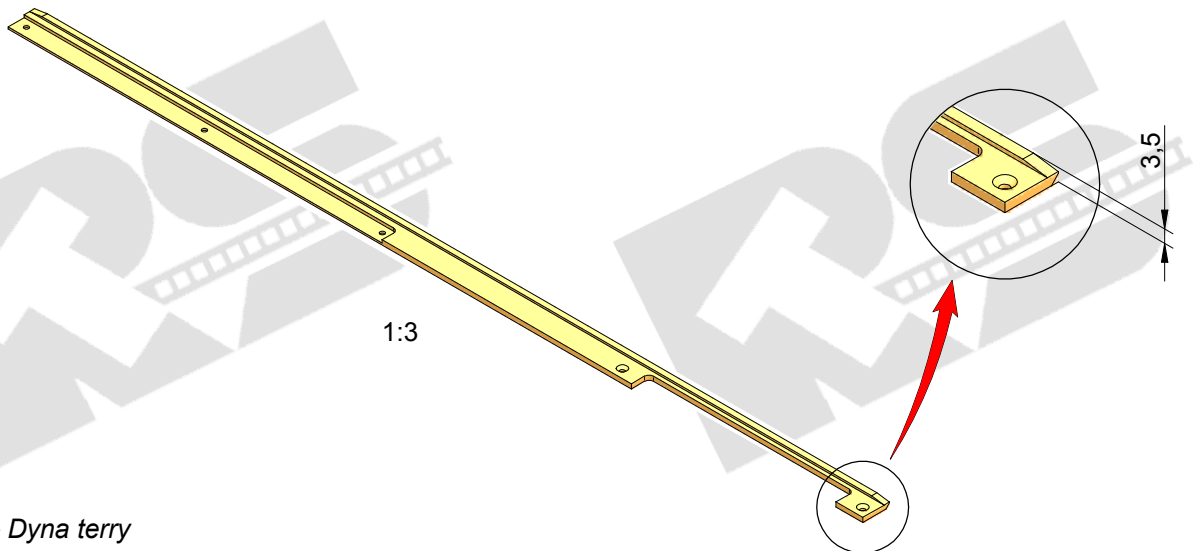
1:3



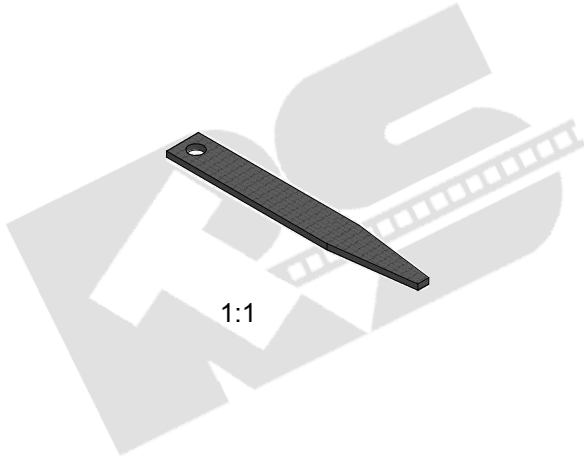
**2509122**  
Reaction plate  
*P1001 ES - SP1151 ES*



**2509110**  
RH gripper opener  
*Leonardo - K88 - P1001 ES - Dyna terry - SP1151 ES*

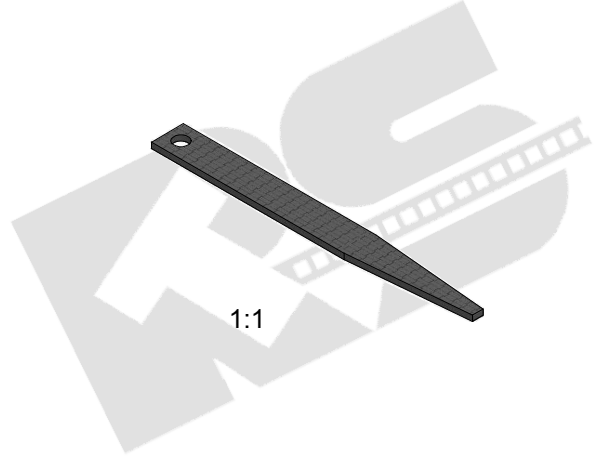


**2509120**  
Reaction plate  
*Leonardo - K88 - Dyna terry*



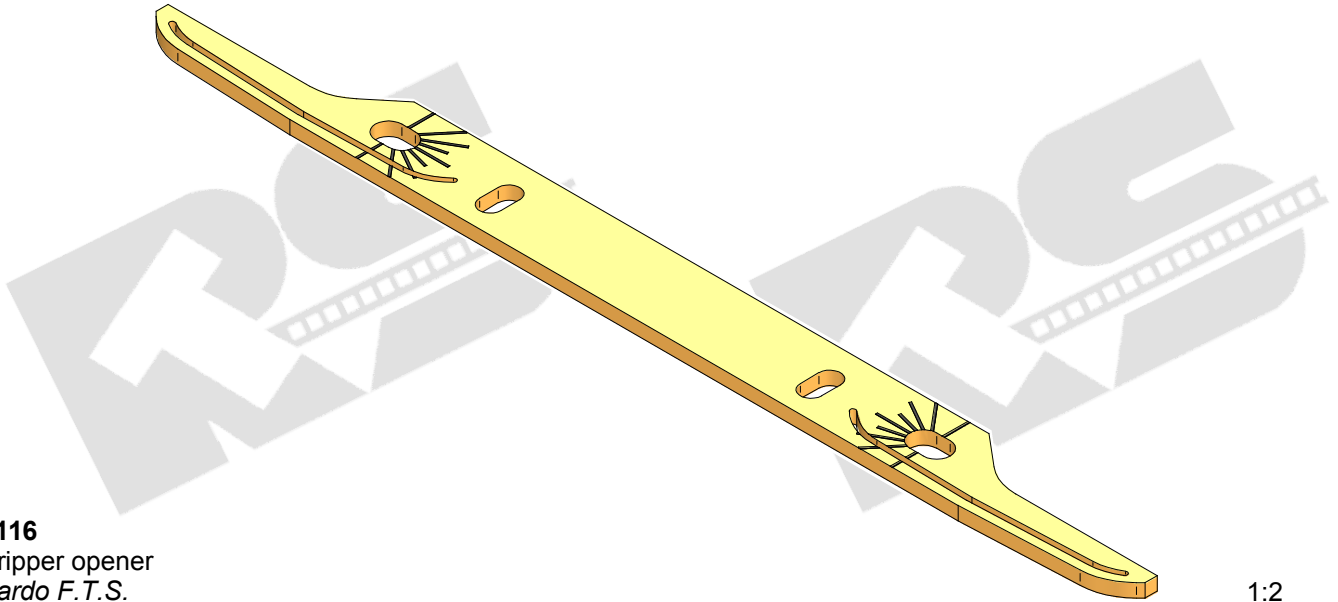
1:1

**2508112**  
Carbon fiber pressure plate  
*9000 Plus ES*



1:1

**2508114**  
Carbon fiber pressure plate  
*9000 Plus ES*



**2509116**  
RH gripper opener  
*Leonardo F.T.S.*

1:2